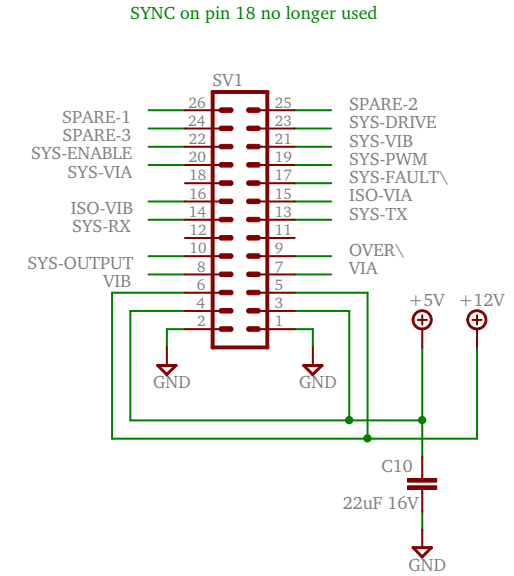
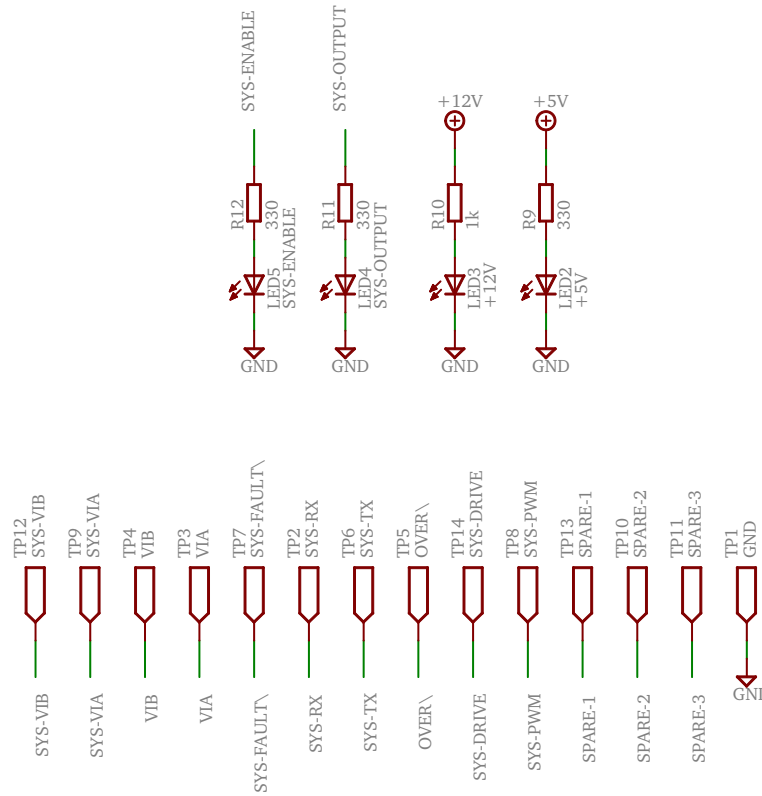


22uF 16V cap, Samsung CL31A226MOCLNNC 16V 20% X5R 1206, Digikey #1276-2728-1-ND
 26-way R/A header, On Shore Technology Inc. 302-R261, Digikey #ED10538-ND
 Matching 26-way socket, On Shore Technology Inc. 101-266, Digikey #ED10505-ND
 Compatible 26-way strain relief, Assman WSW Components AWZ-26-T, Digikey #HSSR26-ND

For input, influence, or ideas, special thanks to:

Matt Fox
 Daniel Jury
 Andrew Laphorn
 Bart Wenmeckers
 Ian Williamson



Arduino module, PWM for primary side, indicators

TITLE: isolation-v102

Document Number:

REV:

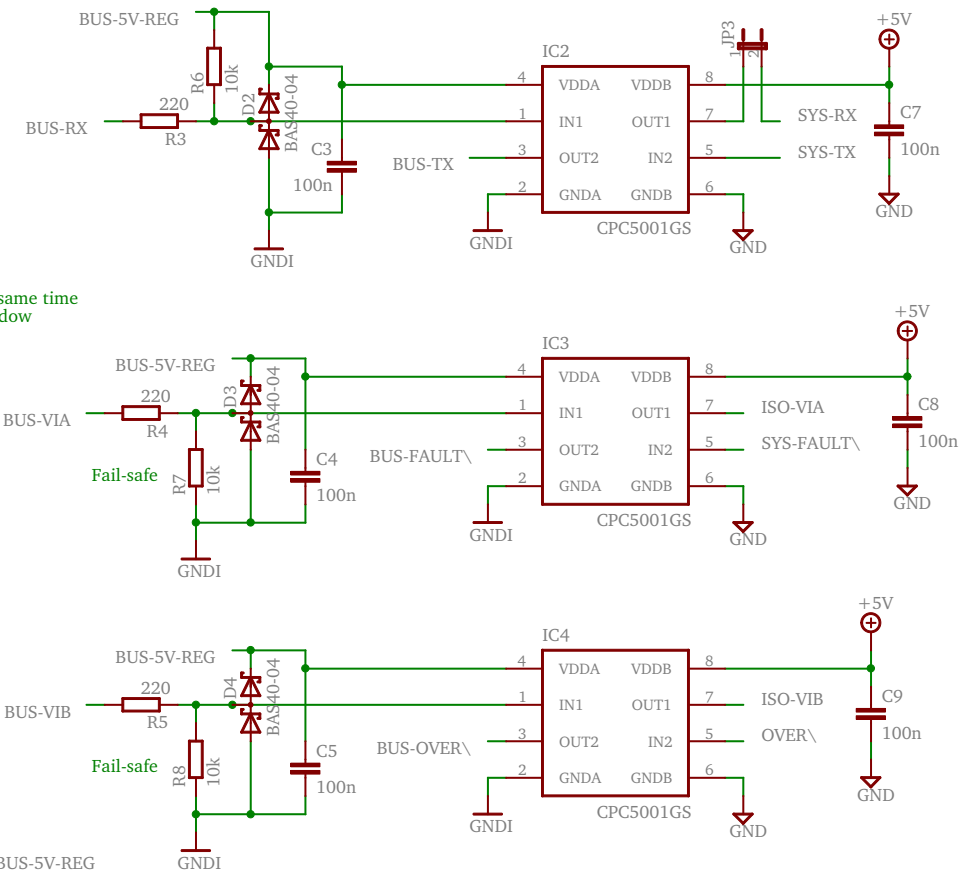
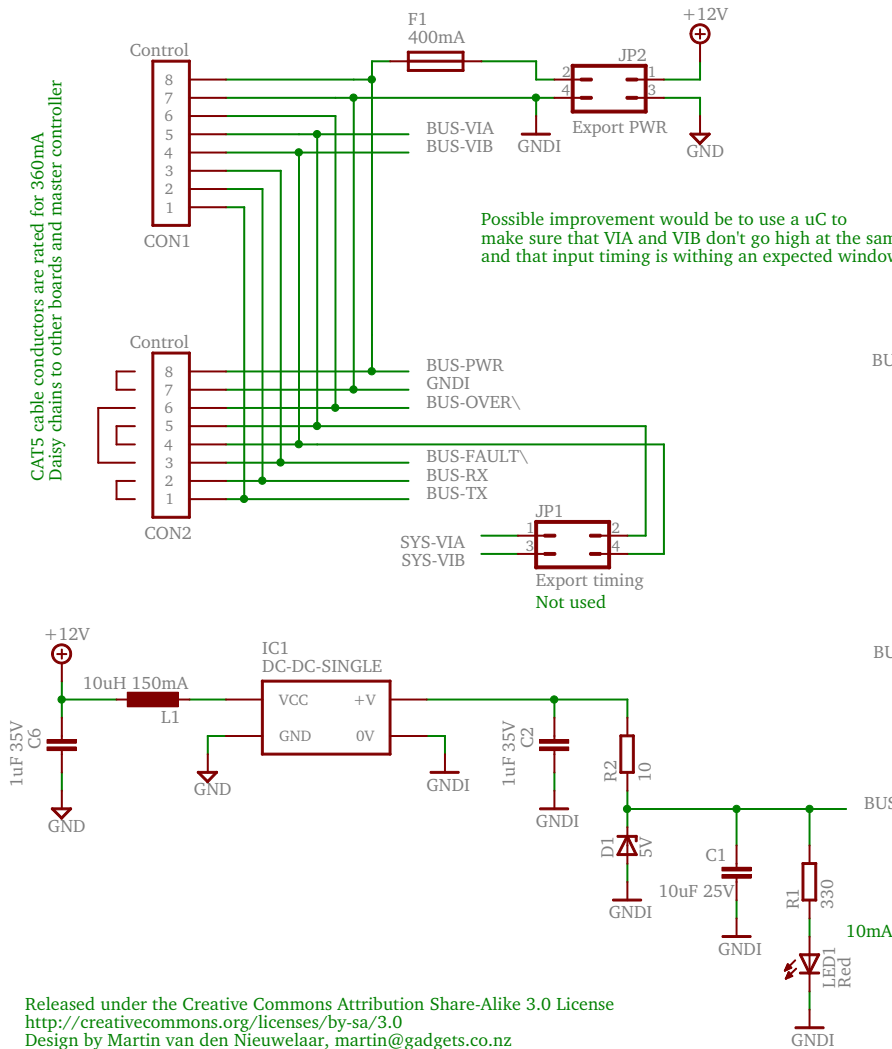
Date: 1/09/2018 16:54:12

Sheet: 1/2

Released under the Creative Commons Attribution Share-Alike 3.0 License
<http://creativecommons.org/licenses/by-sa/3.0>
 Design by Martin van den Nieuwelaar, martin@gadgets.co.nz

DC-DC converter 12V to 5V 1W, muRata CRE1S1205SC, Digikey #811-3198-ND
 Dual digital isolator open drain, IXYS CPC5001GSTR, Digikey #CLA407CT-ND
 8P8C RJ45 R/A connector, Assmann A-2004-2-4-LP-N-R, Digikey #AE10384-ND
 Polyfuse 200/400mA (hold/trip), Bel fuse OZCG0020AF2C, Digikey #507-1757-1-ND
 10uH 150mA inductor, Taiyo Yuden 360mR LBR2012T100K, Digikey #587-2045-1-ND
 Schottky diode array, Micro Commercial 40V SOT23 BAS40-04-TP, Digikey #BAS40-04TPMSCT-ND

CPC5001 is non-inverting with open-drain outputs (pull-ups required!)
 Remove all 8P8C connections when programming uC via serial



Possible improvement would be to use a uC to make sure that VIA and VIB don't go high at the same time and that input timing is within an expected window

Export timing Not used

Bus and bus isolation

TITLE: isolation-v102

Document Number:

REV:

Date: 1/09/2018 16:54:12

Sheet: 2/2